



Why choose a Premium valve

For Design

- Modern and elegant design, available in **8 color finishes** that combine with the latest bathroom and kitchen trends.
- Perfect **combination with TAQ PREMIUM hoses.**

For Durability

- **100% tested** in our production to guarantee optimal functionality.
- Completely **leak-proof** & Maintenance free.
- **Anti-corrosion & hygienic coating** that protects its aesthetics in areas with high concentration of salt and humid environments.

For Material quality

- Ceramic disc closure which ensures 500,000 cycles:
 - **Anti-limescale**
 - **Anti-leak**
 - 1/4 turn soft closure
 - **Low noise:** library noise level; 24dB (ISO 3822)
- **Electrostatic powder coatings and electrolytics:**
 - Abrasion resistance
 - Anti-corrosion barrier
 - Easy cleaning
- **Zamak** metal knob
- **Stainless steel** tailpiece

For Quick & easy installation

- With an **adjustable wrench** or 19mm wrench.
- **Knurled thread** to facilitate the application of standard plumbing tape.

For Sustainability

- Made with recyclable and **environmentally friendly materials.**
- **Plastic-free packaging** with recyclable cardboard.

Certifications:



Available finishes:



Black Steel

Brushed Steel

Matte White

Antique Bronze

Chrome

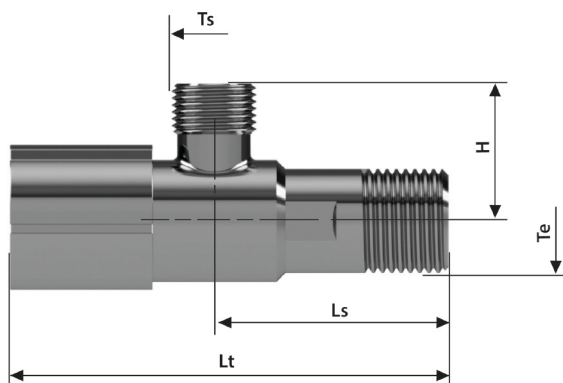
Matte Black

Rose Gold

Gold



Materials and dimensions:



Body: European Brass CW617N

Closure: European brass CW617N with ceramic discs

Handle: Aluminum and zinc alloy (Zamak)

Tail piece: AISI-304 stainless steel

Size	Ts	Te	Lt	Ls	H
1/2"-3/8" M-M	3/8"	1/2"	86	46	27
1/2"-1/2" M-M	1/2"	1/2"	86	46	27

Available connections:






Male 1/2" x Male 3/8"

Color	Reference
Chrome	918500301
Matte White	918500302
Matte Black	918500303
Black Steel	918500304
Antique Bronze	918500305
Brushed Steel	918500306
Gold	918500307
Rose Gold	918500308

Male 1/2" x Male 1/2"

Color	Reference
Matte White	918500402
Matte Black	918500403
Black Steel	918500404
Antique Bronze	918500405
Brushed Steel	918500406
Gold	918500407
Rose Gold	918500408

Technical specifications:

	Flow diameter	DN15
	Inlet thread	G1/2" ISO 228-1, Knurled thread
	Outlet thread	G3/8", G1/2" ISO 228-1
	Flow rate	30 l/min @ 3bar
	Working pressure	25 bar, 90°C