



www.tmmannerola.com

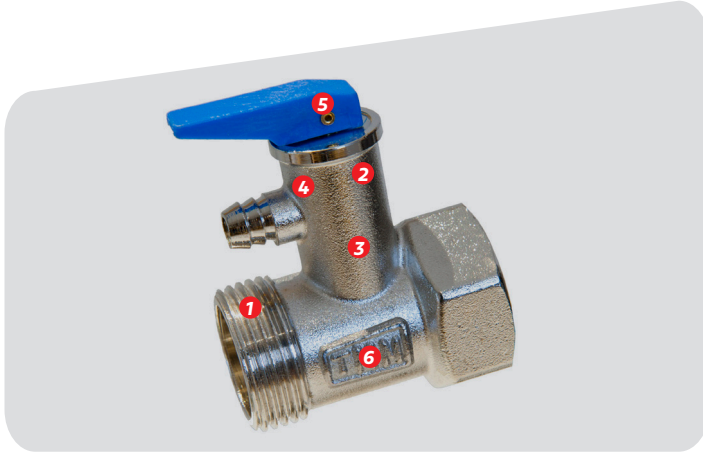
Tips for installation,
use and maintenance



TECHNICAL
SPECIFICATIONS

C-361

PRODUCT



MATERIALS

- 1 BODY CW617N brass, according to EN 12165.
- 2 SHAFT CW617N brass, according to EN 12164.
- 3 SAFETY SYSTEM COMPONENTS POM.
- 4 SAFETY SYSTEM SPRING AISI-304 Stainless Steel.
- 5 SAFETY SYSTEM PLUG EPDM.
- 6 CHECK-VALVE POM.

Nickel-plated surface treatment on brass external surfaces.
All surfaces in contact with water are free of nickel.

FEATURES

NOMINAL PRESSURE 7 bar (PN-7) or 10 bar (PN-10), according to product reference.

MAXIMUM TEMPERATURE 70°C.

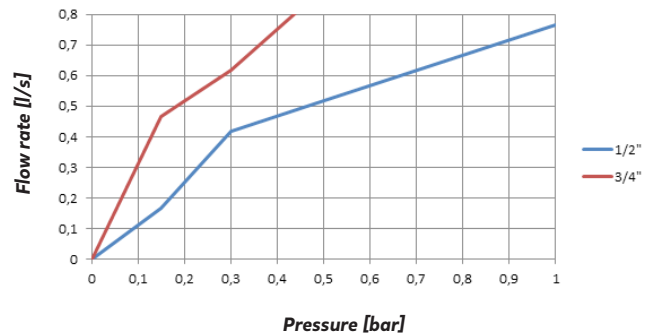
MINIMUM TEMPERATURE 0°C.

Water starts to flow at a pressure of 0.05 bar.

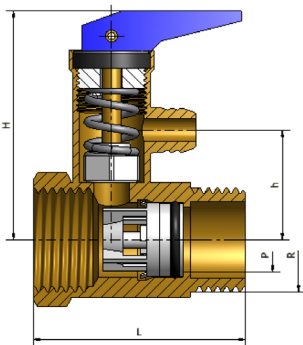
Check-valve according to EN 13959.

NOTE: All materials used to manufacture these valves are suitable for contact with water intended for human consumption.

FLOW RATE VS PRESSURE



MAIN DIMENSIONS



RANGE	PN (bar)	Ref.	Measure R.	DN	Dimensions (mm)			
					P	L	h	H
C361	7	0601101	1/2"	15	10	42,5	22	46
		0601102	3/4"	20	12,5	47,5	24	46
	10	0602101	1/2"	15	10	42,5	22	46
		0602102	3/4"	20	12,5	47,5	24	46